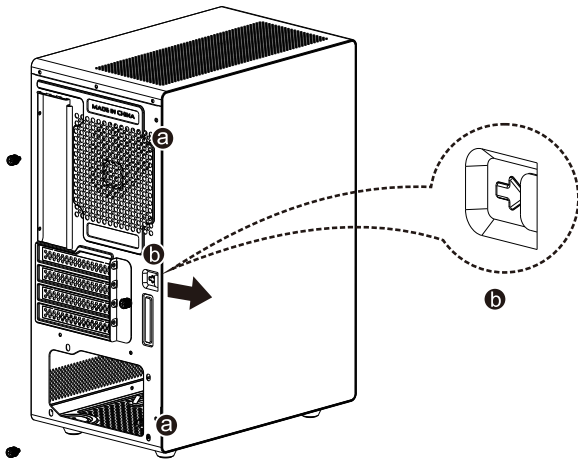


V500 USER MANUAL

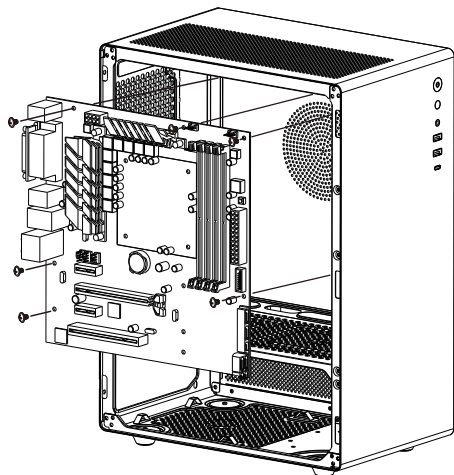
1 Disassemble Of Side Panels

- ① Remove the screws of a positions at the rear end of the left tempered glass side panel
- ② Push out tempered glass side panel by finger at b position according to the arrow direction (caution: hold the glass side panel with the other hand in the meantime to prevent it falling down)



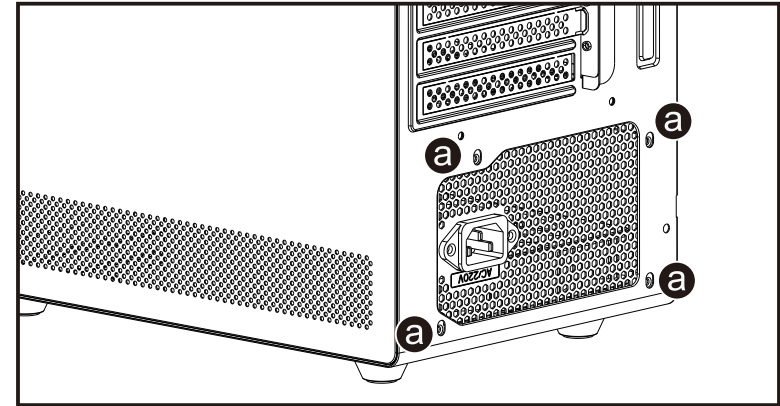
2 M/B installation

Put M/B in the case and align the screw holes, then fix M/B by screws as shown in the following illustration (this case support micro ATX M/B and ITX M/B)
(different M/B has different installation characteristics, please refer to the user manual of your M/B before installation)



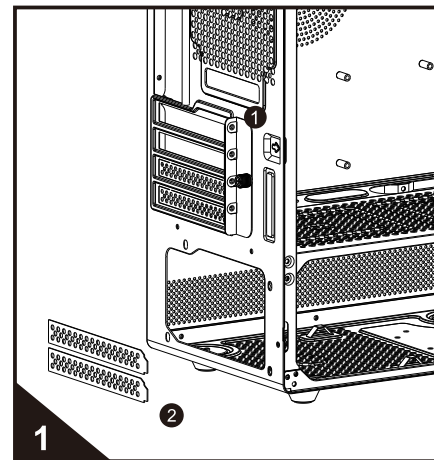
3 PSU installation

Put PSU to the position as shown in the illustration, fasten the 4 pcs screws of "a" positions

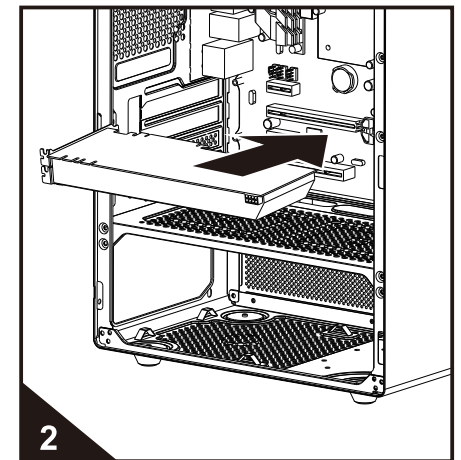


4 VGA card installation

- ① Unscrew the screws of the fastening bar of the PCI slot covers, remove the fastening bar, then break off PCI slot covers
- ② Insert VGA card into the VGA card slot of M/B according to the arrow direction



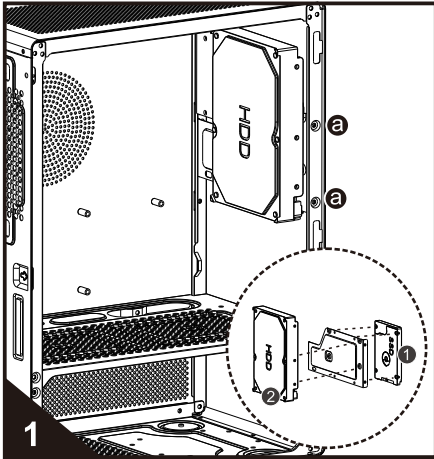
Unscrew the screws of the fastening bar of the PCI slot covers, remove the fastening bar, then break off PCI slot covers



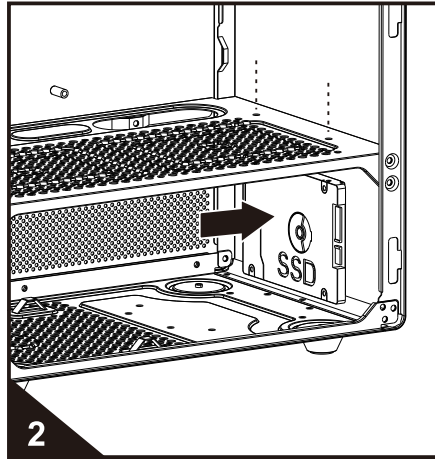
Insert VGA card into the slot of M/B according to the arrow direction

5 HDD / SSD installation (Support: HDDX2+SSDX2 or HDDX1+SSDX3)

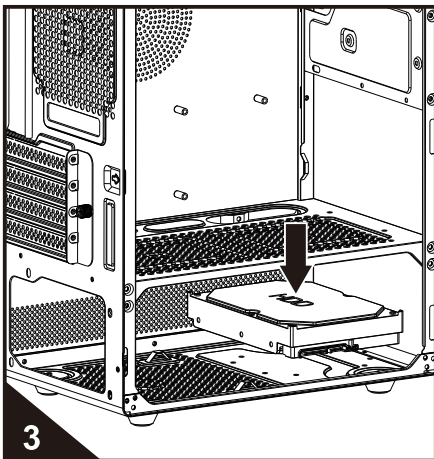
- ① Put 3.5" HDD and 2.5" SSD on the HDD/SSD bracket as shown in the illustration 1, align screw holes, then fix HDD/SSD by screws at "a" positions
- ② The partition plate of PSU compartment can be installed with 1pcs 2.5" SSD. Put 2.5" SSD beneath the partition plate of PSU compartment as shown in the illustration 2, align the screw holes from the partition plate, then fix SSD on the partition plate by screws
- ③ ④ Bottom cover can be installed with 1 pcs 3.5" HDD or 1 pcs 2.5" SSD. Put 3.5" HDD or 2.5" SSD on the bottom cover as shown in the illustration 3/4, align the screw holes, then fix HDD or SSD by screws from the outside of the bottom cover



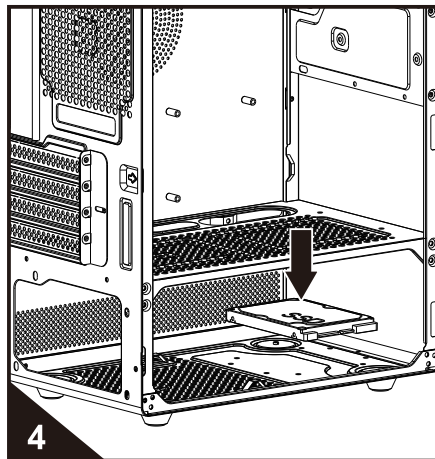
- ① Firstly, fix 2.5" SSD on HDD/SSD bracket by screws
- ② Then fix 3.5" HDD on HDD/SSD bracket by screws
- ③ Install HDD/SSD bracket on the front metal plate, fix it by screws at "a" positions



Fix 2.5"SSD beneath partition plate by screws



Put 3.5"HDD on the position as shown in the illustration, then fix HDD by screws from the bottom



or put 2.5"SSD on the position as shown in the illustration, then fix SSD by screws from the bottom

6 Cooling device compatibility

Top panel:	2x12cm fan
Partition plate:	2x12cm fan
Rear panel:	1x12cm fan or 1x120mm water cooling kit

